

Maintenance Instruction for Airchime KS horn:

- To aid maintenance, remove horn from base by removing two hex head bolts (8). It is not recommended to fit new diaphragms in horizontal mode.
- Stand horn on mouth, dismantle by removing 6x cap screws (6).
- Discard 2x diaphragms(4) & 1x cushion ring(5). Remove 3x cap head screw (2) diffuser (3) & discard.
- Wipe off & inspect diaphragm seats on horn & diaphragm cap. Remove any particles that are lodged or embedded. This should be done carefully without destroying the flatness or smooth finish of the seat faces.
- Ensure that the relief holes are clear & unrestricted.
- Fit new diffuser (3) and 3x cap head screws (2).
- Fit 2x new diaphragms (4) & 1x cushion ring (5). Do not squeeze the diaphragms together, as this may cause a vacuum & prevent horn working. Diaphragm should turn freely in head.
- Re-fit diaphragm cap(7)and secure by using 6x cap screws (6). Alternatively tighten opposite screws a little at a time to tighten cap evenly & snug.
- Place horn into anechoic chamber & fit to test stand. Apply 7 bar air pressure to sound & repeat several times to bed diaphragms in.
- Apply 1 bar air pressure - horn should speak.
- Apply 7 bar air pressure to sound. Record decibel (sound output) level @ 1 meter, using calibrated Db meter. Verify against test requirements for vehicle build.
- Re-fit horn to vehicle, using new O-ring or base gasket (10A or 10B).

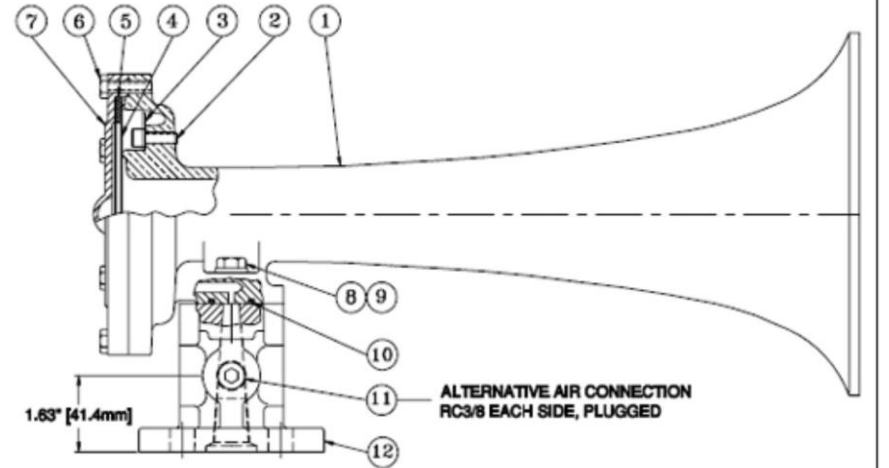
NOTE: Cotton/stockinade covers should NEVER be fitted to the mouths of horns. This will render any warranty VOID. Ask Trent Instruments for a copy of Airchime Bulletin - socks advisory.

ATTENTION:

If any of the above instructions cannot easily be achieved, you can send the unit to Trent Instruments, who offer a full overhaul service. This includes all the above work, plus Re-certification & a new 12 month warranty on the complete horn.

Trent Instruments have a fully equipped facility that has been independantly audited to GM/RT2450 for suppliers of Safety Critical Engineering Products & Services.

REVISIONS			
REV	DESCRIPTION	DATE (YR-MO-DA)	APPROVED
1	SERVICE KITS PARTS	09-06-09	M. B.



Highlighted parts Trent Instruments have included in KS SERVICE KIT.

REF	PART	DESCRIPTION	QTY
1	30101	BELL BODY No. 1	1
2	30144	SOCKET HD. CAP SCREW	3
3	30143	DIFFUSER	1
4	30111	DIAPHRAGM DISC	2
5	30112	CUSHION RING	1
6	30110	HEX HEAD CAP SCREW	6
7	30109	DIAPHRAGM CAP	1
8	30119	HEX HEAD CAP SCREW	2
9	30122	LOCKWASHER	2
10A	30211	O RING	1
10B	30120	BASE GASKET	1
11	36914	PIPE PLUG 3/8-19 BSP	2
12	39117	BASE-SINGLE TONE	1

<p>CONFIDENTIAL</p> <p>INFORMATION CONTAINED HEREIN IS CONFIDENTIAL. IT IS THE PROPERTY OF AIRCHIME MFG. CO. LTD. IT IS TO BE USED SOLELY FOR THE PURPOSE PROVIDED, AND IT IS NOT TO BE DISCLOSED TO OTHERS WITHOUT THE PRIOR WRITTEN CONSENT OF AIRCHIME MANUFACTURING COMPANY LIMITED.</p> <p>© CopyRight Airchime Mfg. Co. Ltd.</p>	CONTRACT NUMBER		<p>TRENT INSTRUMENTS</p> <p>Parts included in KS Service Kit Highlighted in blue</p>
	CUSTOMER:		
	DRAWN BY: Tom O.	DATE (YR-MO-DA) 04-08-09	<p>REV: NSCM 38575</p> <p>02700</p>
	CHECKER: Mark B.	ENGINEER: Tom O.	
	DRAWING APPROVAL: Mark B.	TYPE OF DRAWING: SPARES KIT	SCALE: NONE